

Mobile operator business support
solutions

SMS Dispatcher

High performance SMS Gate

Summary

SMS Dispatcher provides high-performance transformation and routing of SMS-streams from mobile operator's business support systems towards the operator's SMS-centre for self-care, top-up, broadcast and other needs.

The solution supports subscribers' preferences (transliteration, splitting), templates, resending.

SMS Dispatcher optimizes SMS centre loading.

The solution realizes the most usable corporate interfaces: Oracle SQL, MSSQL, SOAP, Message Queue, SMPP.

SMS Dispatcher also supports back messages from subscribers back to corporate systems such as VAS, SMS portals, self-care and others.

The solution is highly fast, up to **3000 SMS/s and higher.**

Main functionality

- Optimal loading of SMS centre
- Guaranteeing delivery of SMS
- Back stream of SMS from subscribers
- Tracking the status of the message
- Formatting the message according to the subscribers' preferences
- Forming the messages with flexible templates
- Archiving the messages with adjustable depth of storing

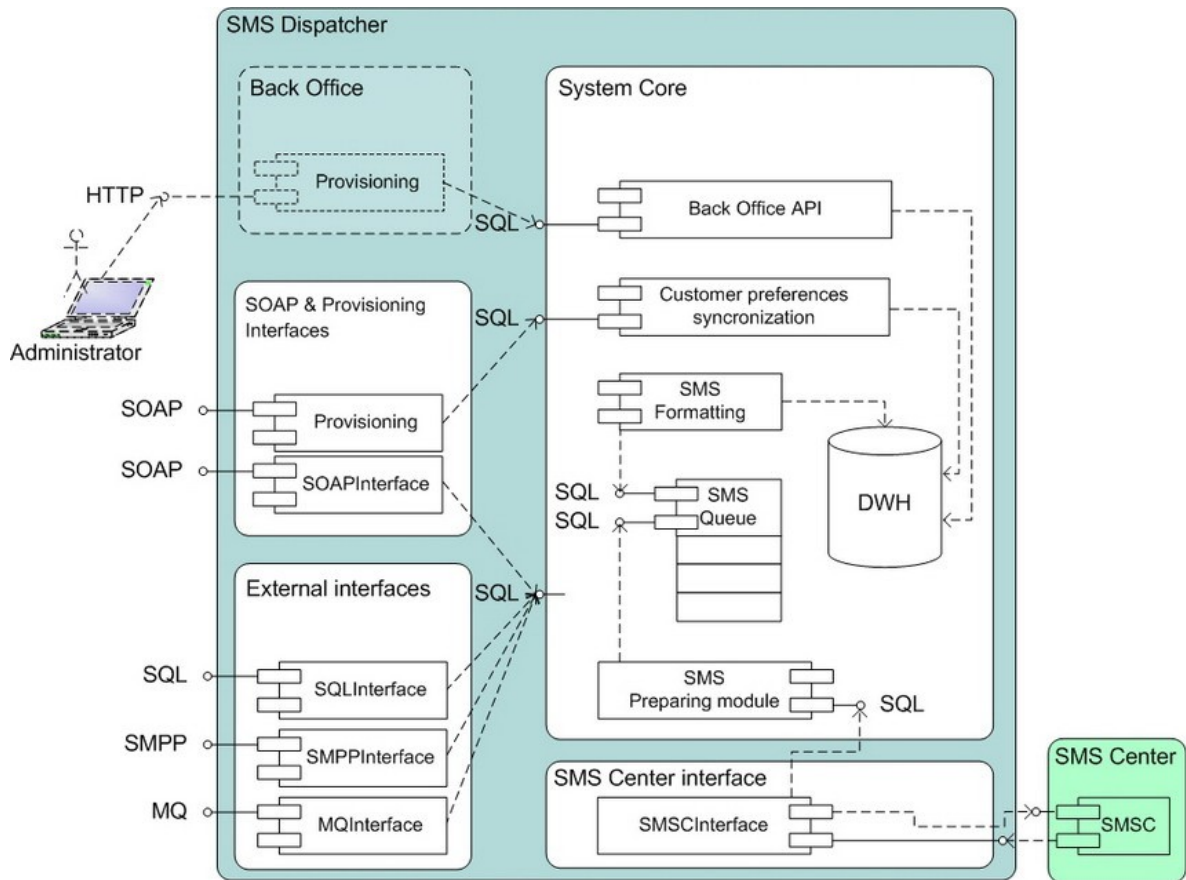
Performance

Here is example of SMS Dispatcher performance on Sun Fire V490 (4 CPU UltraSPARC-IV+):

- One channel performance - 500 SMS/cek.
- Overall core performance - 3000 SMS/cek

The solutions' performance is scalable along with server platform.

Architecture



Advantages

- High performance
- Ability to work with several SMSC (optional)
- Possibility to use a single license to SMSC if needed
- Horizontal scalability of the solutions modules
- Cross-platform (Linux, Solaris, Windows)
- Simple to install, integrate and support

Facts

1 server is enough to operate

1 connection to SMSC is enough to send the messages from all the corporate BSS

4 protocols - MQ, SQL, SMPP, SOAP

3000 SMS/s

20 mln subscribers preferences in SMS-Dispatcher

2.5 years of reliable operating with one of the 3 Russian leading mobile operators

7 bln SMS sent for 2.5 years

About Instream

Instream is founded in 2005 as a company for creating highly reliable solutions for mobile operators. Now Instream develops custom mission and business critical solutions.

Instream Ltd

31к1 Iskry street, Moscow, Russia, 1290344

Tel: +7 (495) 651-62-57

Email: info@instream.ru

www.instream.ru